

DYNAMICO OUTDOOR

By Ormesa



201 Growth Parkway Angola, IN 46703

U. S. Suggested Retail Price List
Nov-21

Phone: 260-665-2769

Fax: 260-665-3047

Email: iim@mobility-usa.com

www.mobility-usa.com

Quote: _____

P.O. _____

Bill To

Dealer: _____ Contact: _____

Address: _____

City: _____ State: _____ Zip: _____

Phone: _____ Fax: _____

Email: _____ Mark For: _____

Ship To Same as Bill To _____

Dealer: _____ Contact: _____

Address: _____

City: _____ State: _____ Zip: _____

Phone: _____ Fax: _____

Email: _____ Mark For: _____

Dynamico Features and Specifications

- **Frame** - non-toxic varnished chromium-plated steel
- **Black Pelvic Support** - adjustable in height and depth
- **Black Chest Support** - adjustable in height, removable
- **Black Harness** - double thickness cotton fabric with velcro straps, adjustable in height and girth with belts and buckles, easy to remove for washing
- **Wheels** - front pivoting 6.7" wheels and back fixed 11.8" wheels
- **Bumpers** - semi-elastic PVC to protect from impacts

Dynamico

Part Number	Description	Price
_____ DYNOD-2	Small Dynamico Yellow Frame WHILE SUPPLIES LAST - SIZE 2 ONLY	\$2,300.00
_____ DYNOD-3	Medium Dynamico Yellow Frame	\$2,600.00
_____ DYNOD-4	Large Dynamico Black Frame	\$2,750.00
_____ DYNOD-5	Extra Large Dynamico Black Frame	\$2,950.00



Positioning Options

Part Number	Description	Price
_____ DYN809-2	Arm Supports Sm & Md	\$675.00
_____ DYN809-4	Arm Supports Lg & Xl	\$700.00
_____ 943	Arm Straps Xs & Sm	\$50.00
_____ 943-3	Arm Straps Md, Lg, & Xl	\$50.00



Accessories

Part Number	Description	Price
_____ DYN810-2	Weight Bars Sm 11 lbs. total	\$220.00
_____ DYN810-3	Weight Bars Md 13.5 lbs. total	\$220.00
_____ DYN810-4	Weight Bars Lg 16 lbs. total	\$270.00
_____ DYN810-5	Weight Bars Xl 19 lbs. total	\$270.00



Required

Discounts do not apply

Client: _____
 _____ FREIGHT

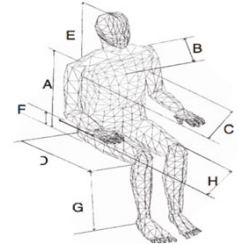
PO:

Dynamico Outdoor

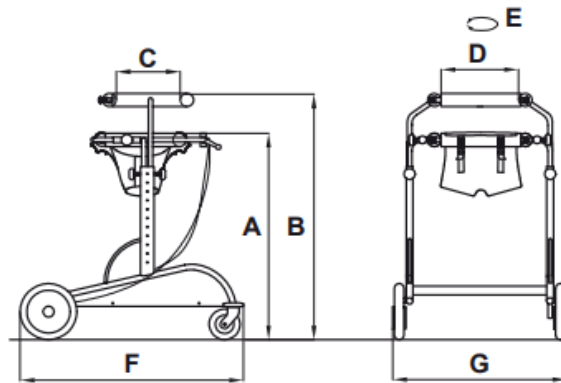
Total order under \$50	\$12.99
Total order under \$250	\$24.99
Total order under \$750	\$49.99
Total order under \$1,000	\$79.99
Total order over \$1,000	\$119.99

Client Measurements

A Back height _____ F Lower leg length _____
 B Chest depth _____ G Head height _____
 C Chest width _____ H Arm height _____
 D Seat depth _____ Age: _____
 E Seat width _____ Weight: _____

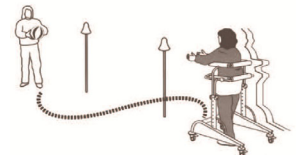


Dimensions



Measurements in Inches

Dynamico Outdoor	Small	Medium	Large	X Large
Max Capacity	154 lbs	187 lbs	220.5 lbs	253.5 lbs
User Height	37 - 51	47 - 61	55 - 68.5	62.5 - 76.5
Unit Weight	39.5 lbs	42.5 lbs	45 lbs	50 lbs
Turning Width	43	45.5	48	53
A	29 - 35.5	33.5 - 43	36.5 - 47	42 - 50
B	33.5 - 40.5	38 - 49	39 - 53	45.5 - 55.5
C	8	10	12	12.5
D	11	12	14	16
E	29.5	33.5	43	47
F	35.5	37	40	44
G	29	29	31	32



Note: All specification and prices are subject to change without notice. Prices listed are only valid if ordering with a gait trainer. The HCPCS codes provided are not intended to be billing or legal advice, rather Innovation In Motion's interpretation of the code definitions. Use of the codes provided does not ensure coverage or payment for the item. For coverage information, verify the policy of the appropriate payer. It is recommended to contact Innovation In Motion with any questions regarding proper ordering of the chair at 1-260-665-2769.