



By Ormesa



201 Growth Parkway Angola, IN 46703

U. S. Suggested Retail Price List  
Nov-21

Phone: 260-665-2769

Fax: 260-665-3047

Email: [iim@mobility-usa.com](mailto:iim@mobility-usa.com)

[www.mobility-usa.com](http://www.mobility-usa.com)

Quote: \_\_\_\_\_

P.O. \_\_\_\_\_

**Bill To**

Dealer: \_\_\_\_\_ Contact: \_\_\_\_\_

Address: \_\_\_\_\_

City: \_\_\_\_\_ State: \_\_\_\_\_ Zip: \_\_\_\_\_

Phone: \_\_\_\_\_ Fax: \_\_\_\_\_

Email: \_\_\_\_\_ Mark For: \_\_\_\_\_

**Ship To** Same as Bill To \_\_\_\_\_

Dealer: \_\_\_\_\_ Contact: \_\_\_\_\_

Address: \_\_\_\_\_

City: \_\_\_\_\_ State: \_\_\_\_\_ Zip: \_\_\_\_\_

Phone: \_\_\_\_\_ Fax: \_\_\_\_\_

Email: \_\_\_\_\_ Mark For: \_\_\_\_\_

**Mini Standy APP Features and Specifications**

- **Blue Frame** - fixed elements painted with non-toxic powder paint and chromed adjustable elements
- **Red Pelvic & Thoracic Straps** - Polyester fabric with velcro belts for the adjustment of the circumference
- **Work Table** - removable, plastic-laminated wood, adjustable in height, depth, and tilt
- **Heel-rest** - adjustable in width and depth
- **Hand Wheels** - for adjustment of elements with pointed fixing screws
- **Wooden Base** - slightly flexible so child is stimulated to assume and maintain an upright position by working all muscles
- **Wheels** - 3" solid with rear brakes
- **Electronic Kit** - fixed system under the footboard that transforms an audio signal into vibrations

**Mini Standy APP**

Part Number	Description	Price
_____ APP-MN	<b>Mini Standy APP</b> Mini	\$3,900.00
_____ APP-SM	<b>Mini Standy APP</b> Small	\$4,100.00
_____ APP-MD	<b>Mini Standy APP</b> Medium	\$4,300.00



**Accessories**

Part Number	Description	Price
_____ 865-1	<b>Headrest Mn</b>	\$710.00
_____ 865-2	<b>Headrest Sm</b>	\$710.00
_____ 865-3	<b>Headrest Md</b>	\$710.00
_____ 944-1	<b>Circumference Reduction Mn</b> 1"thick each	\$170.00
_____ 944-2	<b>Circumference Reduction Sm &amp; Md</b> 1"thick each	\$170.00
_____ 859	<b>Tablet Holder</b>	\$430.00



**Required**

Discounts do not apply

Client: \_\_\_\_\_  
 \_\_\_\_\_ FREIGHT

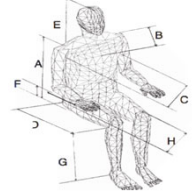
PO:

Mini Standby APP

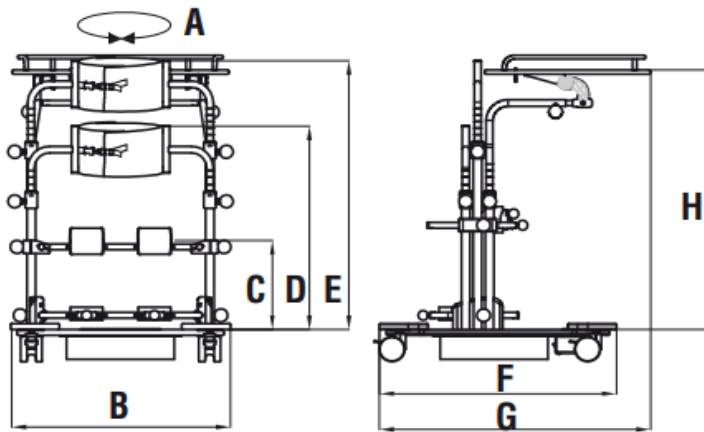
Total order under \$50	\$12.99
Total order under \$250	\$24.99
Total order under \$750	\$49.99
Total order under \$1,000	\$79.99
Total order over \$1,000	\$119.99

**Client Measurements**

A Back height: \_\_\_\_\_ F Lower leg length: \_\_\_\_\_  
 B Chest depth: \_\_\_\_\_ G Head height: \_\_\_\_\_  
 C Chest width: \_\_\_\_\_ H Arm height: \_\_\_\_\_  
 D Seat depth: \_\_\_\_\_ Age: \_\_\_\_\_  
 E Seat width: \_\_\_\_\_ Weight: \_\_\_\_\_



**Dimensions**



Measurements in Inches

Mini Standby APP	Mini	Small	Medium
Max Capacity	77 lbs	99 lbs	121 lbs
User Height	29.5 - 37.5	35.5 - 45	43 - 55
Unit Weight	49 lbs	56.5 lbs	62 lbs
<b>A</b>	23.5	25.5	27.5
<b>B</b>	23.5	25.5	27
<b>C</b>	7.5 - 12	5.5 - 14	5.5 - 16.5
<b>D</b>	17 - 21	21.5 - 27	25.5 - 33.5
<b>E</b>	21.5 - 27.5	27.5 - 35.5	33.5 - 43
<b>F</b>	26	27.5	29
<b>G</b>	30 - 34	31.5 - 34.5	31.5 - 36
<b>H</b>	19.5 - 29	23 - 34.5	27.5 - 39

Note: All specification and prices are subject to change without notice. Prices listed are only valid if ordering with a stander. The HCPCS codes provided are not intended to be billing or legal advice, rather Innovation In Motion's interpretation of the code definitions. Use of the codes provided does not ensure coverage or payment for the item. For coverage information, verify the policy of the appropriate payer. It is recommended to contact Innovation In Motion with any questions regarding proper ordering of the chair at 1-260-665-2769.