

U. S. Suggested Retail Price List  
Nov-21

Phone: 260-665-2769

Fax: 260-665-3047

Email: [iim@mobility-usa.com](mailto:iim@mobility-usa.com)

[www.mobility-usa.com](http://www.mobility-usa.com)

Quote: \_\_\_\_\_

P.O. \_\_\_\_\_

### Bill To

Dealer: \_\_\_\_\_ Contact: \_\_\_\_\_

Address: \_\_\_\_\_

City: \_\_\_\_\_ State: \_\_\_\_\_ Zip: \_\_\_\_\_

Phone: \_\_\_\_\_ Fax: \_\_\_\_\_

Email: \_\_\_\_\_ Mark For: \_\_\_\_\_

### Ship To Same as Bill To \_\_\_\_\_

Dealer: \_\_\_\_\_ Contact: \_\_\_\_\_

Address: \_\_\_\_\_

City: \_\_\_\_\_ State: \_\_\_\_\_ Zip: \_\_\_\_\_

Phone: \_\_\_\_\_ Fax: \_\_\_\_\_

Email: \_\_\_\_\_ Mark For: \_\_\_\_\_

### Mini Standy Features and Specifications

- **Blue Frame** - fixed elements painted with non-toxic powder paint and chromed adjustable elements
- **Red Pelvic & Thoracic Straps** - Polyester fabric with velcro belts for the adjustment of the circumference
- **Work Table** - removable, Laminated wood, adjustable in height and depth
- **Heel-rest** - adjustable in height and depth
- **Green Hand Wheels** - for adjustment of elements with pointed fixing screws
- **Wooden Base** - slightly flexible so child is stimulated to assume and maintain an upright position by working all muscles
- **Wheels** - 3" solid with rear brakes

### Mini Standy

| Part Number   | Description               | Price      |
|---------------|---------------------------|------------|
| _____ MINI-MN | <b>Mini Standy</b> Mini   | \$2,950.00 |
| _____ MINI-SM | <b>Mini Standy</b> Small  | \$3,150.00 |
| _____ MINI-MD | <b>Mini Standy</b> Medium | \$3,350.00 |



### Accessories

| Part Number | Description   | Price    |
|-------------|---|----------|
| _____ 865-1 | <b>Headrest</b> Mn                                  | \$710.00 |
| _____ 865-2 | <b>Headrest</b> Sm                                  | \$710.00 |
| _____ 865-3 | <b>Headrest</b> Md                                  | \$710.00 |
| _____ 944-1 | <b>Circumference Reduction</b> Mn 1"thick each      | \$170.00 |
| _____ 944-2 | <b>Circumference Reduction</b> Sm & Md 1"thick each | \$170.00 |
| _____ 859   | <b>Tablet Holder</b>                                | \$430.00 |



### Accessories Continued

Client:

PO:

Mini Standy

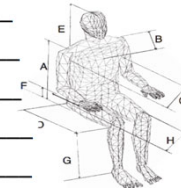
| Part Number | Description       | Price    |
|-------------|-------------------|----------|
| APPB-MN     | Vibration Base Mn | \$950.00 |
| APPB-SM     | Vibration Base Sm | \$950.00 |
| APPB-MD     | Vibration Base Md | \$950.00 |



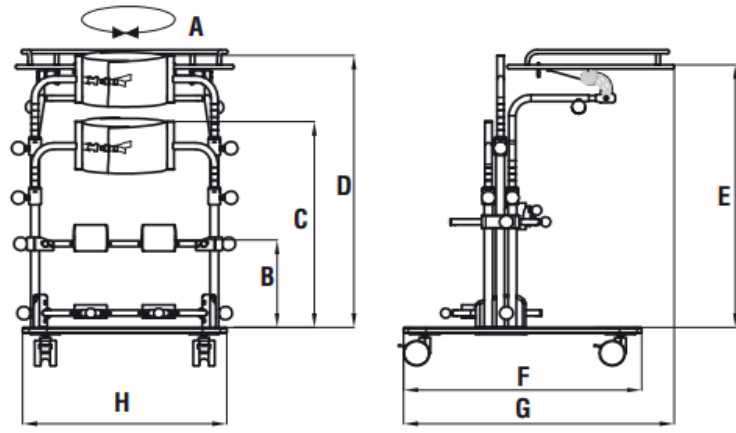
| Required |                           | Discounts do not apply |
|----------|---------------------------|------------------------|
| FREIGHT  | Total order under \$50    | \$12.99                |
|          | Total order under \$250   | \$24.99                |
|          | Total order under \$750   | \$49.99                |
|          | Total order under \$1,000 | \$79.99                |
|          | Total order over \$1,000  | \$119.99               |

**Client Measurements**

A Back height: \_\_\_\_\_ F Lower leg length: \_\_\_\_\_  
 B Chest depth: \_\_\_\_\_ G Head height: \_\_\_\_\_  
 C Chest width: \_\_\_\_\_ H Arm height: \_\_\_\_\_  
 D Seat depth: \_\_\_\_\_ Age: \_\_\_\_\_  
 E Seat width: \_\_\_\_\_ Weight: \_\_\_\_\_



**Dimensions**



Measurements in Inches

| Mini Standy  | Mini        | Small       | Medium      |
|--------------|-------------|-------------|-------------|
| Max Capacity | 77 lbs      | 99 lbs      | 121 lbs     |
| User Height  | 29.5 - 37.5 | 35.5 - 45   | 43 - 55     |
| Unit Weight  | 37.5 lbs    | 46 lbs      | 50.5 lbs    |
| A            | 23.5        | 25.5        | 27.5        |
| B            | 7.5 - 12    | 5.5 - 14    | 5.5 - 16.5  |
| C            | 17 - 21     | 21.5 - 27   | 25.5 - 33.5 |
| D            | 21.5 - 27.5 | 27.5 - 35.5 | 33.5 - 43   |
| E            | 19.5 - 29   | 23 - 34.5   | 27.5 - 39   |
| F            | 26          | 27.5        | 29          |
| G            | 30 - 34     | 31.5 - 34.5 | 31.5 - 36   |
| H            | 22          | 23.5        | 25.5        |

Note: All specification and prices are subject to change without notice. Prices listed are only valid if ordering with a stander. The HCPCS codes provided are not intended to be billing or legal advice, rather Innovation In Motion's interpretation of the code definitions. Use of the codes provided does not ensure coverage or payment for the item. For coverage information, verify the policy of the appropriate payer. It is recommended to contact Innovation In Motion with any questions regarding proper ordering of the chair at 1-260-665-2769.