

U. S. Suggested Retail Price List
Nov-21

Phone: 260-665-2769

Fax: 260-665-3047

Email: iim@mobility-usa.com

www.mobility-usa.com

Quote: _____

P.O. _____

Bill To

Dealer: _____ Contact: _____

Address: _____

City: _____ State: _____ Zip: _____

Phone: _____ Fax: _____

Email: _____ Mark For: _____

Ship To Same as Bill To _____

Dealer: _____ Contact: _____

Address: _____

City: _____ State: _____ Zip: _____

Phone: _____ Fax: _____

Email: _____ Mark For: _____

New Bug Features and Specifications

- **Seat** - can be used as a floor sitter, width and depth adjustable by 4" in each direction, small can be forward or reverse facing
- **Tilt** - incorporated in the seat 40°, easily adjusts with levers located on seat back
- **Headrest** - incorporated into the backrest so that the child always has a support
- **Backrest** - slightly contoured, can recline 35° (hinge coincides with child's center of gravity) height adj 4" with slots for accessories
- **Elevating Legrest** - push button adjustable, footrest is height and angle adjustable
- **Base** - black powder coated aluminum with an angle adjustable push-handle

New BUG Seat - includes: seat back, seat pan, tilt, and recline.

Part Number	Description	Price
____ NBS	New BUG Small	\$1,200.00
____ NBM	New BUG Medium	\$1,300.00
____ NBREC	Reclining Backrest required	\$450.00



Outdoor Base Options

____ NB869-S	4-Wheel Base Sm	\$2,100.00
____ NB869-M	4-Wheel Base Md	\$2,200.00
____ 891	Set of Tie Down Hooks (Only available with NB869)	\$300.00

Intended for forward-facing transport of the pushchair in a motor vehicle. Conforms with ISO 7176/19 and ANSI RESNA WC/19.



____ NB856-S	Hi-Low Feeding Base Sm	\$2,000.00
____ NB856-M	Hi-Low Feeding Base Md	\$2,100.00
____ NB850-S	Floor Base Sm	\$750.00
____ NB850-M	Floor Base Md	\$800.00








Colors This price is only valid when purchasing a seat unit.

Client:



PO:

New Bug

Part Number	Description	Price		
NBLPB-S/NBLPB-M	Light Grey with Pink accent	\$10.00		
NBDPB-S/NBDPB-M	Dark Grey with Pink accent	\$10.00		
NBLGB-S/NBLGB-M	Light Grey with Green accent	\$10.00		
NBDGB-S/NBDGB-M	Dark Grey with Green accent	\$10.00		

Footrest Options		Footplate and Hardware Required Parts		
NB810-S	Angle Adjustable Flip Up Footplate Sm	requires NB810-HW	\$135.00	
NB810-M	Angle Adjustable Flip Up Footplate Md	requires NB810-HW	\$135.00	
NB810-HW	Footplate Hardware and Adjustment Tool		\$135.00	

Footrest Accessories			
NB811	Calf Strap	\$60.00	
827	Foot Strap 8-11"	\$80.00	
827A	Foot Strap 11-14"	\$80.00	
NB892-S	Padded Foot Plate Sm	\$110.00	
NB892-M	Padded Foot Plate Md	\$110.00	

Hip Guide Options		Hip Guides and Hardware Required Parts		
<u>Size Small</u>				
NB815-L-S	Left Hip Guide width & angle adj armrest & upholstery	requires NB815-HW	\$70.00	
NB815-R-S	Right Hip Guide width & angle adj armrest & upholstery	requires NB815-HW	\$70.00	
NB815-L-HW/R-HW	Hardware for Hip Guide and Arm Rest		\$70.00	
<u>Size Medium</u>				
NB815-L-M	Left Hip Guide width & angle adj armrest & upholstery	requires NB815-HW	\$70.00	
NB815-R-M	Right Hip Guide width & angle adj armrest & upholstery	requires NB815-HW	\$70.00	
NB815-L-HW/R-HW	Hardware for Hip Guide and Arm Rest		\$70.00	

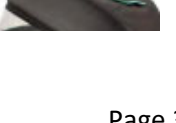
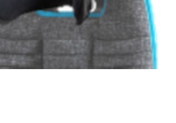
Positioning Options			
Part Number	Description	Price	
			

Client:

PO:

New Bug

817-S	Leg Straps Sm	\$160.00
817-M	Leg Straps Md	\$160.00
NB920-S	4 Point Pelvic Belt Sm	\$220.00
NB920-M	4 Point Pelvic Belt Md	\$220.00
894-S	45° Pelvic Belt Sm	\$100.00
894-M	45° Pelvic Belt Md	\$100.00
906-S	5 Point Harness Sm	\$140.00
906-M	5 Point Harness Md	\$140.00
NB903-S	5 Point Vest Harness Sm	\$320.00
NB903-M	5 Point Vest Harness Md	\$320.00
853-S	Vest Harness Sm	\$190.00
853-M	Vest Harness Md	\$190.00
NB868-S	Wrappable & Flexible Trunk Support Sm height & depth adjustable	\$470.00
NB868-M	Wrappable & Flexible Trunk Support Md height & depth adjustable	\$470.00
NB838-S	Lateral Pads Sm requires NB838-HW	\$110.00
NB838-M	Lateral Pads Md requires NB838-HW	\$110.00
NB838-HW	Lateral Hardware height and depth adjustable	\$170.00
NB834-S	Padded Abduction Block w/ Hardware Sm depth adjustable	\$150.00
NB834-M	Padded Abduction Block w/ Hardware Md depth adjustable	\$150.00
NB834R-S	Adj Padded Abduction Block w/ HW Sm depth & width adj	\$340.00
NB834R-M	Adj Padded Abduction Block w/ HW Md depth & width adj	\$340.00
NB852-S	Headrest w/ Parietal Supports Sm fixed, height adjustable	\$320.00
NB852-M	Headrest w/ Parietal Supports Md fixed, height adjustable	\$320.00
NB863-S	Headrest w/ Occipital-Parietal Supports Sm requires NB863-HW	\$320.00
NB863-M	Headrest w/ Occipital-Parietal Supports Md requires NB863-HW	\$320.00
NB863-HW	Multi Axis Hardware - angle and depth adjustable	\$290.00
NB942-S	Ergonomic Headrest Sm requires NB942-HW	\$320.00
NB942-M	Ergonomic Headrest Md requires NB942-HW	\$320.00
NB942-HW	Multi Axis Hardware - angle and depth adjustable	\$190.00
NB835-S	Shaped Headrest Sm	\$90.00
NB835-M	Shaped Headrest Md	\$90.00



Accessories

Part Number	Description	Price
NB819P-S	Black Retractable Canopy w/ Pink accent Sm requires NB819-HW	\$320.00
NB819P-M	Black Retractable Canopy w/ Pink accent Md requires NB819-HW	\$320.00

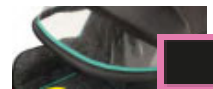


Client:

PO:

New Bug

NB819G-S	Black Retractable Canopy w/ Green accent Sm requires NB819-HW	\$320.00
NB819G-M	Black Retractable Canopy w/ Green accent Md requires NB819-HW Canopy comes with front & rear view window	\$320.00
NB819-HW	Canopy Hardware	\$130.00
NB825-S	Black Rain Cover Sm requires NB819	\$150.00
NB825-M	Black Rain Cover Md requires NB819	\$150.00
NB824-S	Transparent Table with Edge & Hollow Sm requires NB824-HW	\$260.00
NB824-M	Transparent Table with Edge & Hollow Md requires NB824-HW	\$260.00
NB824-HW	Adjustable and Removable Table Hardware	\$110.00
NB824B-S	Wide Tray for Hi-Low Base Sm requires NB824-HW	\$260.00
NB824B-M	Wide Tray for Hi-Low Base Md requires NB824-HW	\$260.00
NB824-HW	Adjustable and Removable Table Hardware	\$110.00
NB839-S	Front Handle Sm	\$220.00
NB839-M	Front Handle Md	\$220.00
818-S	Black Thermal Cover Sm	\$400.00
818-M	Black Thermal Cover Md	\$400.00
858-S	Medical Necessity Basket Sm Not compatible with NB927 or NB935	\$140.00
858-M	Medical Necessity Basket Md Not compatible with NB927 or NB935	\$140.00
NB927-S	Vent Tray Sm Not compatible with 858	\$710.00
NB927-M	Vent Tray Md Not compatible with 858	\$710.00
922	Water Bottle Holder	\$50.00
NB935-S	Oxygen Bottle Holder Sm Not compatible with 858	\$350.00
NB935-M	Oxygen Bottle Holder Md Not compatible with 858	\$350.00
NB-IV	IV Pole	\$540.00



Required		Discounts do not apply
FREIGHT	Total order under \$50	\$12.99
	Total order under \$250	\$24.99
	Total order under \$750	\$49.99
	Total order under \$1,000	\$79.99
	Total order over \$1,000	\$119.99

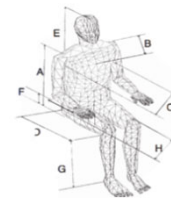
Client Measurements:

Client:

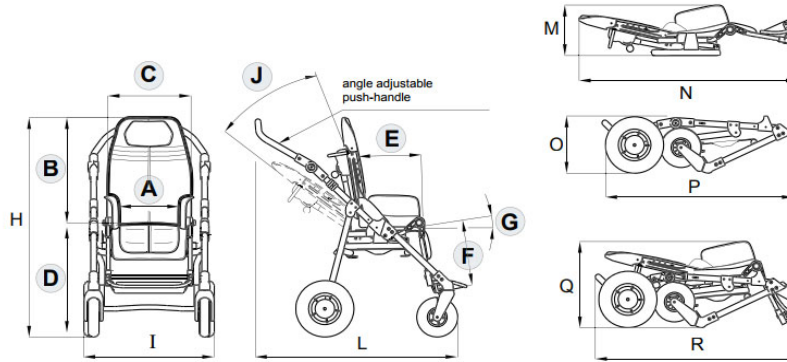
PO:

New Bug

A Back height: _____ F Lower leg length: _____
 B Chest depth: _____ G Head height: _____
 C Chest width: _____ H Arm height: _____
 D Seat depth: _____ Age: _____
 E Seat width: _____ Weight: _____

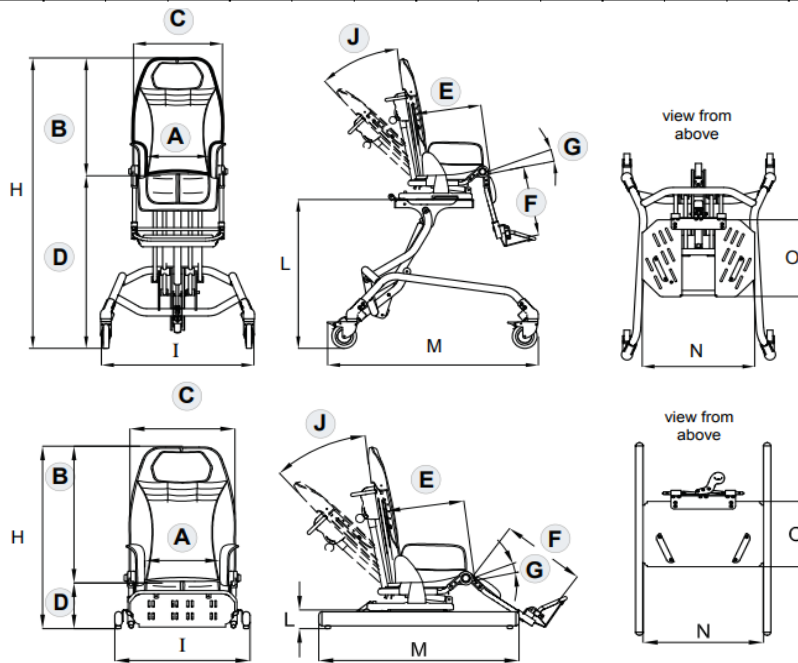


DIMENSIONS



Measurements in Inches

Seat & Bases	MAX LOAD	A	B	C	D	E	F	G	J	H	I	L	M	N	O	P	Q	R	FRAME WEIGHT	SEAT WEIGHT	TOTAL WEIGHT
Sm 4 wheel	77 lbs	8-11	20-24	14.5	20.5	8-12	5-12	0°-35°	35°	41-45	22.5	26-37	11.5	34.5	11.5	32	17	32	21	19	40
Md 4 wheel	99 lbs	10-14	24-30	17	21.5	12-16	12-16	0°-25°	40°	45-51	24.5	32-42	13.5	44	14	36	20.5	37	23	25	48
Sm Hi/Low	77 lbs	8-11	20-24	14.5	18.5-29	8-12	5-12	0°-35°	35°	39-53	22	14-24	31	16	9	N/A	N/A	N/A	32	19	51
Md Hi/Low	99 lbs	10-14	24-30	17	18.5-29	12-16	12-16	0°-25°	40°	42-58	24	14-24	33	18	13	N/A	N/A	N/A	34	25	59
Sm floor base	77 lbs	8-11	20-24	14.5	6.5	8-12	5-12	0°-35°	35°	27-31	18	2.5	24	16	9	N/A	N/A	N/A	10	19	29
Md floor base	99 lbs	10-14	24-30	17	6.5	12-16	12-16	0°-25°	40°	30-36	20	2.5	25	18	11	N/A	N/A	N/A	12	25	37



Note: All specification and prices are subject to change without notice. Prices listed are only valid if ordering with a base. The HCPCS codes provided are not intended to be billing or legal advice, rather Innovation In Motion's interpretation of the code definitions. Use of the codes provided does not ensure coverage or payment for the item. For coverage information, verify the policy of the appropriate payer. It is recommended to contact Innovation In Motion with any questions regarding proper ordering of the chair at 1-260-665-2769.

