

DONDOLINO

By Ormesa



201 Growth Parkway Angola, IN 46703

Canadian Suggested Retail Price List in USD
Jan-19

Phone: 260-665-2769

Fax: 260-665-3047

Email: iim@mobility-usa.com

www.mobility-usa.com

Quote: _____

P.O. _____

Bill To

Dealer: _____ Contact: _____

Address: _____

City: _____ State: _____ Zip: _____

Phone: _____ Fax: _____

Email: _____ Mark For: _____

Ship To Same as Bill To _____

Dealer: _____ Contact: _____

Address: _____

City: _____ State: _____ Zip: _____

Phone: _____ Fax: _____

Email: _____ Mark For: _____

Dondolino Features and Specifications

- **Blue & Yellow Frame** - varnished with non-toxic epoxy-powder paint, chromium-plated and adjustable parts, adjustable in tilt
- **Removable Table** - made of multilayer wood, adjustable in height, depth, and tilt
- **Red Knee-pads** - adjustable in depth, width, height, and rotation
- **Heel-rests** - adjustable in depth and width
- **Wooden Base** - adjustable in height
- **Red Pelvic & Chest Support** - adjustable in height, depth, and circumference with velcro straps
- **Solid Wheels** - 3" with brakes, can be moved from one room to another with the user already in place

Dondolino

Part Number	Description	Price (USD)	HCPCS
____ DON-1	Dondolino Mini	\$3,285.00	E0638
____ DON-2	Dondolino Small	\$3,285.00	E0638
____ DON-3	Dondolino Medium	\$3,285.00	E0638



Accessories

Part Number	Description	Price	HCPCS
____ 865-1	Headrest Mn	\$650.00	K0108
____ 865-2	Headrest Sm	\$650.00	K0108
____ 865-3	Headrest Md	\$650.00	K0108
____ 944-1	Circumference Reduction Mn 1"thick each	\$150.00	K0108
____ 944-2	Circumference Reduction Sm & Md 1"thick each	\$150.00	K0108



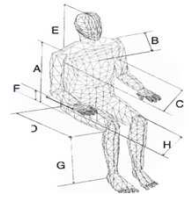
Client:

PO:

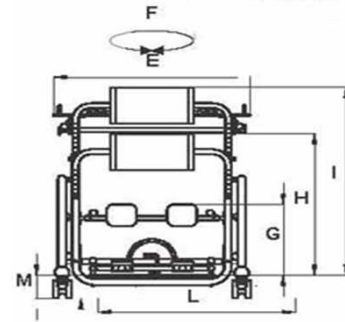
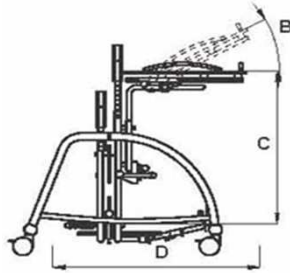
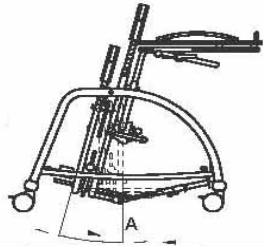
Dondolino CAD

Client Measurements

A Back height _____ F Lower leg length _____
 B Chest depth _____ G Head height _____
 C Chest width _____ H Arm height _____
 D Seat depth _____ Age: _____
 E Seat width _____ Weight: _____



Dimensions



Measurements in Inches

Dondolino	Mini	Small	Medium
Max Capacity	77 lbs	99 lbs	121 lbs
User Height	29.5 - 39	37.5 - 49	47 - 59
Unit Weight	42 lbs	53 lbs	57 lbs
A	0° - 19°	0° - 14°	0° - 11°
B	0° - 25°	0° - 25°	0° - 25°
C	18 - 29	21 - 34	24 - 40
D	30 - 34	32.5 - 38	35.5 - 39.5
E	25	25	25
F	23.5	25.5	27.5
G	5 - 10	5 - 14.5	5 - 19
H	16 - 22.5	19.5 - 27.5	23 - 28
I	20.5 - 29	23.5 - 31.5	29 - 43
L	25	26.5	28
M	4 - 6	4 - 6	4 - 6

Note: All specification and prices are subject to change without notice. Prices listed are only valid if ordering with a stander. The HCPCS codes provided are not intended to be billing or legal advice, rather Innovation In Motion's interpretation of the code definitions. Use of the codes provided does not ensure coverage or payment for the item. For coverage information, verify the policy of the appropriate payer. It is recommended to contact Innovation In Motion with any questions regarding proper ordering of the chair at 1-260-665-2769.