



By Ormesa



201 Growth Parkway Angola, IN 46703

Canadian Suggested Retail Price List in USD
Apr-18

Phone: 260-665-2769
Fax: 260-665-3047
Email: iim@mobility-usa.com
www.mobility-usa.com

Quote: _____

P.O. _____

Bill To

Dealer: _____ Contact: _____

Address: _____

City: _____ State: _____ Zip: _____

Phone: _____ Fax: _____

Email: _____ Mark For: _____

Ship To **Same as Bill To** _____

Dealer: _____ Contact: _____

Address: _____

City: _____ State: _____ Zip: _____

Phone: _____ Fax: _____

Email: _____ Mark For: _____

Mini Standy APP Features and Specifications

- **Blue Frame** - fixed elements painted with non-toxic powder paint and chromed adjustable elements
- **Red Pelvic & Thoracic Straps** - Polyester fabric with velcro belts for the adjustment of the circumference
- **Work Table** - removable, plastic-laminated wood, adjustable in height, depth, and tilt
- **Heel-rest** - adjustable in width and depth
- **Hand Wheels** - for adjustment of elements with pointed fixing screws
- **Wooden Base** - slightly flexible so child is stimulated to assume and maintain an upright position by working all muscles
- **Wheels** - 3" solid with rear brakes
- **Electronic Kit** - fixed system under the footboard that transforms an audio signal into vibrations

Mini Standy APP

Part Number	Description	Price (USD)
____ APP-MN	Mini Standy APP Mini	\$3,600.00
____ APP-SM	Mini Standy APP Small	\$3,800.00
____ APP-MD	Mini Standy APP Medium	\$4,000.00



Accessories

Part Number	Description	Price (USD)	HCPCS
____ 865-1	Headrest Mn	\$650.00	K0108
____ 865-2	Headrest Sm	\$650.00	K0108
____ 865-3	Headrest Md	\$650.00	K0108
____ 944-1	Circumference Reduction Mn 1"thick each	\$150.00	K0108
____ 944-2	Circumference Reduction Sm & Md 1"thick each	\$150.00	K0108



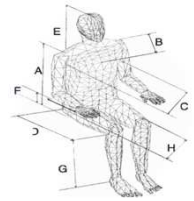
Client:

PO:

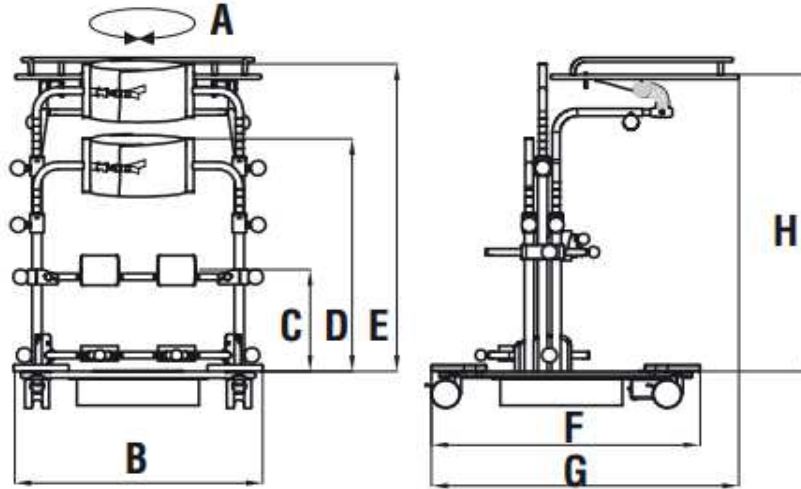
Mini Standy APP CAD

Client Measurements

A Back height: _____ F Lower leg length: _____
 B Chest depth: _____ G Head height: _____
 C Chest width: _____ H Arm height: _____
 D Seat depth: _____ Age: _____
 E Seat width: _____ Weight: _____



Dimensions



Measurements in Inches

Mini Standy APP	Mini	Small	Medium
Max Capacity	77 lbs	99 lbs	121 lbs
User Height	29.5 - 37.5	35.5 - 45	43 - 55
Unit Weight	49 lbs	56.5 lbs	62 lbs
A	23.5	25.5	27.5
B	23.5	25.5	27
C	7.5 - 12	5.5 - 14	5.5 - 16.5
D	17 - 21	21.5 - 27	25.5 - 33.5
E	21.5 - 27.5	27.5 - 35.5	33.5 - 43
F	26	27.5	29
G	30 - 34	31.5 - 34.5	31.5 - 36
H	19.5 - 29	23 - 34.5	27.5 - 39

Note: All specification and prices are subject to change without notice. Prices listed are only valid if ordering with a stander. The HCPCS codes provided are not intended to be billing or legal advice, rather Innovation In Motion's interpretation of the code definitions. Use of the codes provided does not ensure coverage or payment for the item. For coverage information, verify the policy of the appropriate payer. It is recommended to contact Innovation In Motion with any questions regarding proper ordering of the chair at 1-260-665-2769.