

Canadian Suggested Retail Price List in USD  
Apr-18

Phone: 260-665-2769

Fax: 260-665-3047

Email: [iim@mobility-usa.com](mailto:iim@mobility-usa.com)

[www.mobility-usa.com](http://www.mobility-usa.com)

Quote: \_\_\_\_\_

P.O. \_\_\_\_\_

### Bill To

Dealer: \_\_\_\_\_ Contact: \_\_\_\_\_

Address: \_\_\_\_\_

City: \_\_\_\_\_ State: \_\_\_\_\_ Zip: \_\_\_\_\_

Phone: \_\_\_\_\_ Fax: \_\_\_\_\_

Email: \_\_\_\_\_ Mark For: \_\_\_\_\_

### Ship To Same as Bill To \_\_\_\_\_

Dealer: \_\_\_\_\_ Contact: \_\_\_\_\_

Address: \_\_\_\_\_

City: \_\_\_\_\_ State: \_\_\_\_\_ Zip: \_\_\_\_\_

Phone: \_\_\_\_\_ Fax: \_\_\_\_\_

Email: \_\_\_\_\_ Mark For: \_\_\_\_\_

### Mini Standy Features and Specifications

- **Blue Frame** - fixed elements painted with non-toxic powder paint and chromed adjustable elements
- **Red Pelvic & Thoracic Straps** - Polyester fabric with velcro belts for the adjustment of the circumference
- **Work Table** - removable, Laminated wood, adjustable in height and depth
- **Heel-rest** - adjustable in height and depth
- **Green Hand Wheels** - for adjustment of elements with pointed fixing screws
- **Wooden Base** - slightly flexible so child is stimulated to assume and maintain an upright position by working all muscles
- **Wheels** - 3" solid with rear brakes

### Mini Standy

Part Number	Description	Price (USD)	HCPCS
_____ MINI-MN	<b>Mini Standy</b> Mini	\$2,700.00	E0638
_____ MINI-SM	<b>Mini Standy</b> Small	\$2,900.00	E0638
_____ MINI-MD	<b>Mini Standy</b> Medium	\$3,100.00	E0638



### Accessories

Part Number	Description	Price (USD)	HCPCS
_____ 865-1	<b>Headrest</b> Mn	\$650.00	K0108
_____ 865-2	<b>Headrest</b> Sm	\$650.00	K0108
_____ 865-3	<b>Headrest</b> Md	\$650.00	K0108
_____ 944-1	<b>Circumference Reduction</b> Mn 1"thick each	\$150.00	K0108
_____ 944-2	<b>Circumference Reduction</b> Sm & Md 1"thick each	\$150.00	K0108



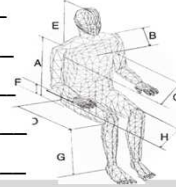
**Accessories Continued**

Part Number	Description	Price (USD)	HCPCS
APPB-MN	Vibration Base Mn	\$900.00	
APPB-SM	Vibration Base Sm	\$900.00	
APPB-MD	Vibration Base Md	\$900.00	

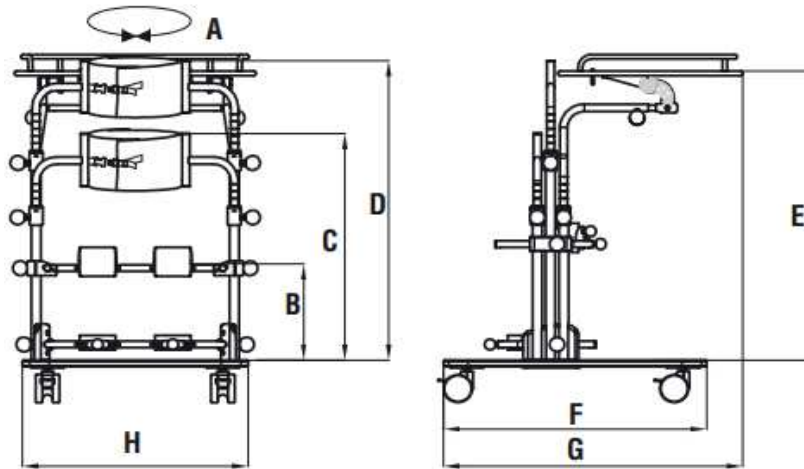


**Client Measurements**

A Back height: \_\_\_\_\_ F Lower leg length: \_\_\_\_\_  
 B Chest depth: \_\_\_\_\_ G Head height: \_\_\_\_\_  
 C Chest width: \_\_\_\_\_ H Arm height: \_\_\_\_\_  
 D Seat depth: \_\_\_\_\_ Age: \_\_\_\_\_  
 E Seat width: \_\_\_\_\_ Weight: \_\_\_\_\_



**Dimensions**



Measurements in Inches

Mini Standy	Mini	Small	Medium
Max Capacity	77 lbs	99 lbs	121 lbs
User Height	29.5 - 37.5	35.5 - 45	43 - 55
Unit Weight	37.5 lbs	46 lbs	50.5 lbs
A	23.5	25.5	27.5
B	7.5 - 12	5.5 - 14	5.5 - 16.5
C	17 - 21	21.5 - 27	25.5 - 33.5
D	21.5 - 27.5	27.5 - 35.5	33.5 - 43
E	19.5 - 29	23 - 34.5	27.5 - 39
F	26	27.5	29
G	30 - 34	31.5 - 34.5	31.5 - 36
H	22	23.5	25.5

Note: All specification and prices are subject to change without notice. Prices listed are only valid if ordering with a stander. The HCPCS codes provided are not intended to be billing or legal advice, rather Innovation In Motion's interpretation of the code definitions. Use of the codes provided does not ensure coverage or payment for the item. For coverage information, verify the policy of the appropriate payer. It is recommended to contact Innovation In Motion with any questions regarding proper ordering of the chair at 1-260-665-2769.