

Canadian Suggested Retail Price List in USD  
Jan-18

Phone: 260-665-2769

Fax: 260-665-3047

Email: [iim@mobility-usa.com](mailto:iim@mobility-usa.com)

[www.mobility-usa.com](http://www.mobility-usa.com)

Quote: \_\_\_\_\_

P.O. \_\_\_\_\_

## Bill To

Dealer: \_\_\_\_\_ Contact: \_\_\_\_\_

Address: \_\_\_\_\_

City: \_\_\_\_\_ State: \_\_\_\_\_ Zip: \_\_\_\_\_

Phone: \_\_\_\_\_ Fax: \_\_\_\_\_

Email: \_\_\_\_\_ Mark For: \_\_\_\_\_

## Ship To Same as Bill To \_\_\_\_\_

Dealer: \_\_\_\_\_ Contact: \_\_\_\_\_

Address: \_\_\_\_\_

City: \_\_\_\_\_ State: \_\_\_\_\_ Zip: \_\_\_\_\_

Phone: \_\_\_\_\_ Fax: \_\_\_\_\_

Email: \_\_\_\_\_ Mark For: \_\_\_\_\_

## Standy Features and Specifications

- **Steel Frame** - with sliding parts chromed and the rest painted red with polyester and epoxi-polyester varnishes
- **Table** - removable, adjustable in height with semi-rigid side protection
- **Brown Knee-pads** - adjustable in height, width and depth
- **Brown Back & Chest Support** - padded for added comfort
- **Heel Support** - adjustable in width and depth
- **Footboard** - non-slip aluminum
- **Wheels** - allows the device to be moved from one room to another without the user in place

## Standy

| Part Number | Description          | Price (USD) HCPCS |
|-------------|----------------------|-------------------|
| ____ STDY-M | <b>Standy</b> Medium | \$3,600.00 E0638  |
| ____ STDY-L | <b>Standy</b> Large  | \$3,750.00 E0638  |



## Accessories

| Part Number     | Description                                   | Price (USD) HCPCS |
|-----------------|---|-------------------|
| ____ STDY865-3  | <b>Headrest Md</b> requires STDY865-HW        | \$225.00 K0108    |
| ____ STDY865-4  | <b>Headrest Lg</b> requires STDY865-HW        | \$225.00 K0108    |
| ____ STDY865-HW | <b>Headrest Hardware</b>                      | \$275.00 E1028    |
| ____ STDY857-3  | <b>Side Supports for the Pelvis Md</b> (Pair) | \$375.00 K0108    |
| ____ STDY857-4  | <b>Side Supports for the Pelvis Lg</b> (Pair) | \$375.00 K0108    |



Client:

PO:

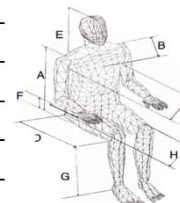
Standy CAD

**Accessories Continued**

| Part Number    | Description                                      | Price (USD) | HCPCS |  |
|----------------|--|-------------|-------|--|
| ____ STDY902-3 | <b>Adjustable Front Footrest &amp; Straps Md</b> | \$450.00    | K0108 |  |
| ____ STDY902-4 | <b>Adjustable Front Footrest &amp; Straps Lg</b> | \$450.00    | K0108 |  |
| ____ STDY861   | <b>Transport Wheels</b>                          | \$200.00    | K0108 |  |

**Client Measurements**

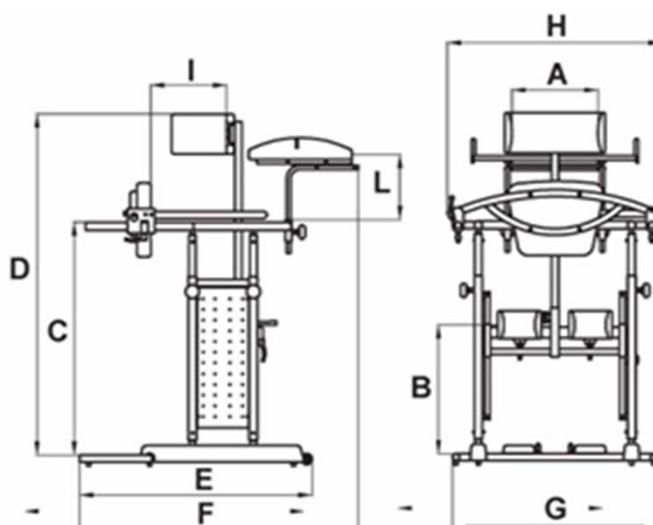
A Back height: \_\_\_\_\_ F Lower leg length: \_\_\_\_\_  
 B Chest depth: \_\_\_\_\_ G Head height: \_\_\_\_\_  
 C Chest width: \_\_\_\_\_ H Arm height: \_\_\_\_\_  
 D Seat depth: \_\_\_\_\_ Age: \_\_\_\_\_  
 E Seat width: \_\_\_\_\_ Weight: \_\_\_\_\_



**Dimensions**

**Measurements in Inches**

| Standy      | Medium    | Large     |
|-------------|-----------|-----------|
| Max         | 198 lbs   | 264.5 lbs |
| Unit Weight | 64 lbs    | 84 lbs    |
| A           | 12        | 14.5      |
| B           | 8 - 20    | 11 - 23   |
| C           | 25 - 36.5 | 28.5 - 44 |
| D           | 33 - 47   | 37 - 51   |
| E           | 30        | 33        |
| F           | 35        | 40        |
| G           | 27        | 29.5      |
| H           | 29        | 31        |
| I           | 5 - 11    | 8 - 12.5  |
| L           | 4 - 9     | 5 - 10    |



Note: All specification and prices are subject to change without notice. Prices listed are only valid if ordering with a stander. The HCPCS codes provided are not intended to be billing or legal advice, rather Innovation In Motion's interpretation of the code definitions. Use of the codes provided does not ensure coverage or payment for the item. For coverage information, verify the policy of the appropriate payer. It is recommended to contact Innovation In Motion with any questions regarding proper ordering of the chair at 1-260-665-2769.